



Better Chemistry. Better Business.

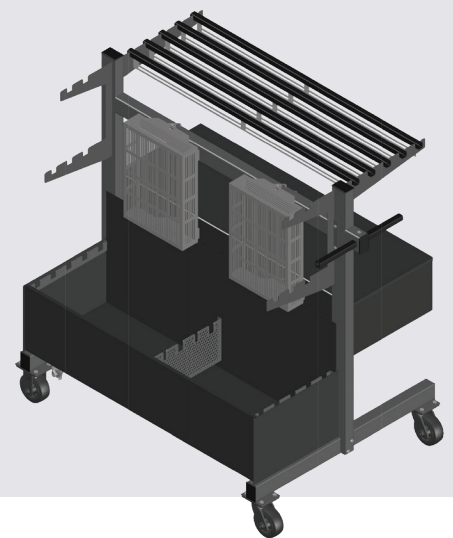
ERASE Powder Coating Dissolver

- Designed specifically for low volume powder coat stripping applications. Non-hazardous, fast acting, reusable, no strong or nasty odor
- No special equipment needed
- Works at ambient temperature with minimal agitation
- Can be used in a bucket or small immersion tank for stripping hooks, small racks, silicone plugs and masks



For those applications where a small immersion tank is more convenient, a product such as the mobile strip station is an ideal solution.

- Two tanks hold the ERASE paint dissolver on one side and a dead water rinse on the other side
- Hooks are hung from bars that can be secured to the sides of the tank and are allowed to dwell in the ERASE until clean
- Hooks are then moved to the dead water side, rinsed, and hung to drip dry
- Both tanks have bottom drains for easy cleaning and filtering of the ERASE product



HH-1024

 Surface Cleaners

 Metal Finishing

 Wastewater Treatment

Chemistry and Expertise for
Manufacturing's Toughest Problems



563 South Leonard Street, Waterbury, CT 06708
Phone: (800) 648-3412 · HubbardHall.com